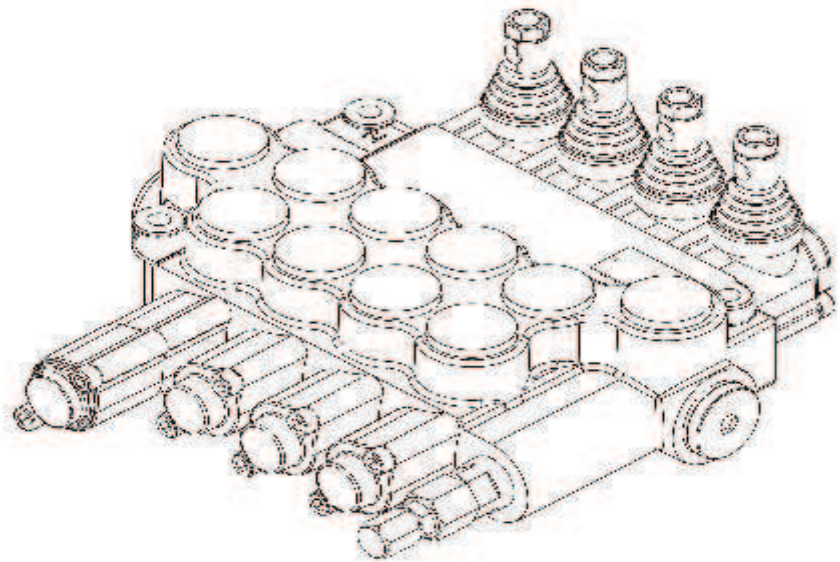


HYDRAULIC DIRECTIONAL CONTROL VALVES
 РАСПРЕДЕЛИТЕЛИ ГИДРАВЛИЧЕСКИЕ



Description

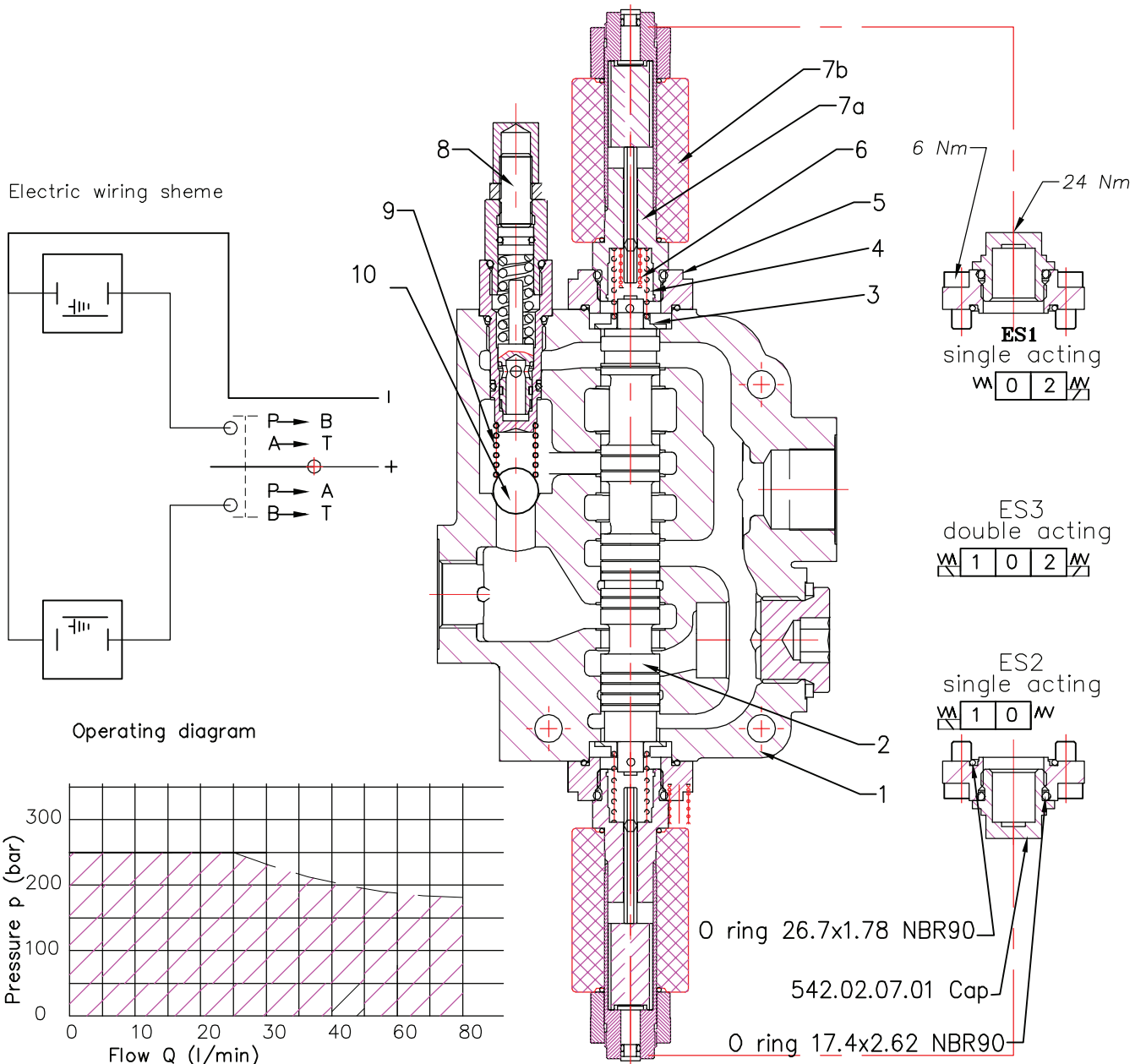
Назначение и область применения

For starting, controlling and stopping the working fluid between the generator of pressured flow, the consumers at the Tank. Предназначен для изменения направления потока, ограничения давления рабочей жидкости гидрولىниях, разгрузки насоса в нейтральной позиции золотников.

Specifications

Основные показатели:

1. Valve monoblock	моноблок
Конструктивное выполнение	3 bolts M8
2. Mounting	
Крепление	internal thread
3. Pressure connections	внутренние резьбы
Присоединительные отверстия	-40C...+60C
4. Ambient temperature	
Температура воздуха	mineral oil based hydraulic oil
5. Pressure medium	
Рабочая жидкость	12...800 mm ² /s permissible range
6. Viskosity	20...100 mm ² /s recommended range
Кинематическая вязкость	- 15C...+80C
7. Fluid temperature	Oil contamination 10 to NAS1638
8. Filtration	P = 250 bar
9. Max. operating pressure	T = 50 bar
Давление max. bar	A, B = 300 bar
	18 cm ³ /min at 120 bar
10. Leakage	
Внутренние потери (A, B – T)	80 l/min (see “operating” diagram)
11. Nominal flow	
Разход рабочей жидкости	± 7 mm
12. Spool stroke	
Ход золотника	< 220 N in spool axis direction
13. Actuating force	



Operating features

Технические примечания

Control

Internal leakage A(B) → T
 (p=120 bar, Viscosity=32 mm²/s : max 40 ccm/min)
 Fluid temperature - -20°C(short time) ... 80°C
 Max. back pressure on outlet port T - 25 bar (360psi)

Coil

Nominal voltage tolerance ±10%
 Power rating 37 W
 Coil insulation class H
 Duty cycle 100%
 Connector ISO 4400
 Emergency manual override

pos.	Part.No	Description	Quantity
10		Ball 14.28	1
9	123.00.47	Spring	1
8	79.04.00	Relief valve	1
7b	C35D012RC P01	Solenoid coil	2
7a	GM4060/BD	Solenoid Tube	2
6	542.02.00.07	Additional spring	2
5	511.02.02.00	Intermediate unit	2
4	542.02.00.04	Spring	2
3	511.02.00.02	Washer	2
2		Spool ...	1
1		Body ...	1

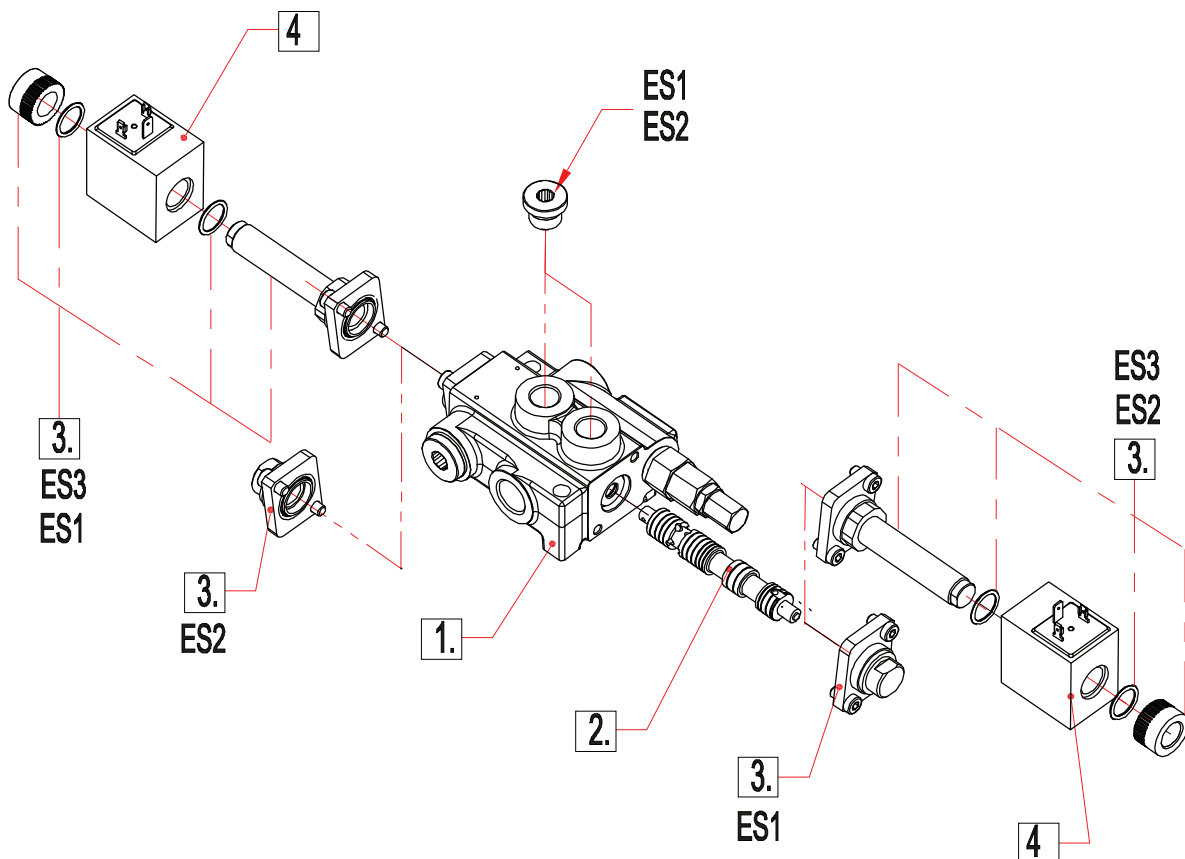
directional control valve Z80

ES ... SOLENOID DIRECT CONTROL

Solenoid direct control with spring return to neutral position.
 Needs special spools and special body Z80.

ORDERING EXAMPLE

Z80	A	ES3	12VDC	G
1	2	3	4	5



1.Body kit

Type	Description
01Z80	1 spool
02Z80	2 spool
03Z80	3 spool
04Z80	4 spool
05Z80	5 spool
06Z80	6 spool

3.Control kit

Type	Description
ES1	Single acting P – A with spring return in neutral position
ES2	Single acting P – B with spring return in neutral position
ES3	Double acting P – A (B) with spring return in neutral position

2.Spool options

Type	Description
A	Double acting, 3 positions with A and B closed in neutral position
D	Double acting, 3 positions with A and B open to Tank in neutral position

4.Coils

Type	Description
12VDC	(with connector ISO 4400) Nominal voltage 12VDC
24VDC	Nominal voltage 24VDC

5.Threads

G	P, A, B – G1/2; T – G3/4
---	--------------------------